

## MODEL

**Description:** Shower Tray Waste  
**Barcode:** 5056634504846

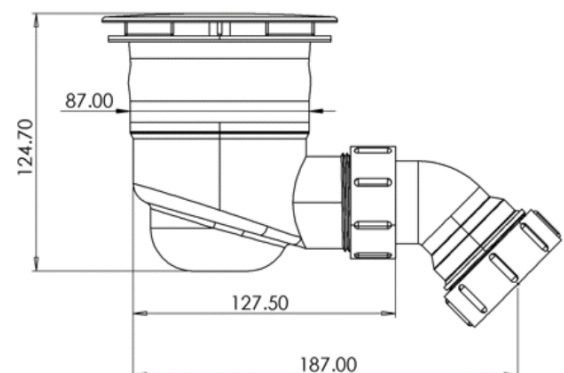
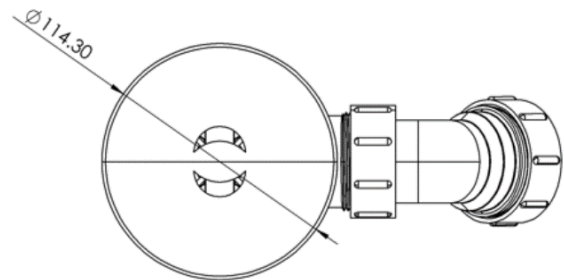
## GENERAL

**Category:** Accessories  
**Sub Category:** Shower Waste  
**Related Standard(s) CE:** EN 274-1:2002  
**DOC ref:** DOC-KT-1017A  
**Related Standard(s) UKCA:** BS EN 274-1:2002  
**DOC ref:** DOC-KT-1017B  
**WRAS Approved:** No  
**WRAS No:** n/a  
**Other:** n/a  
**No:** n/a



## SPECIFICATION

**Colour / Finish:** MATT BLACK  
**Construction Material (Kitchens):** Rubber & Polypropylene  
**Product Type:** Shower Tray Waste  
**Waste Type:** Fast Flow  
**Trap Type:** Shower  
**Waste Size:** 90 mm  
**Connection type:** n/a  
**Outlet Thread size:** 40mm (1 1/2")



The information contained on this page was correct at date of issue. Fitting dimensions are provided as a guide only. Some variation may occur due to manufacturing tolerances.